

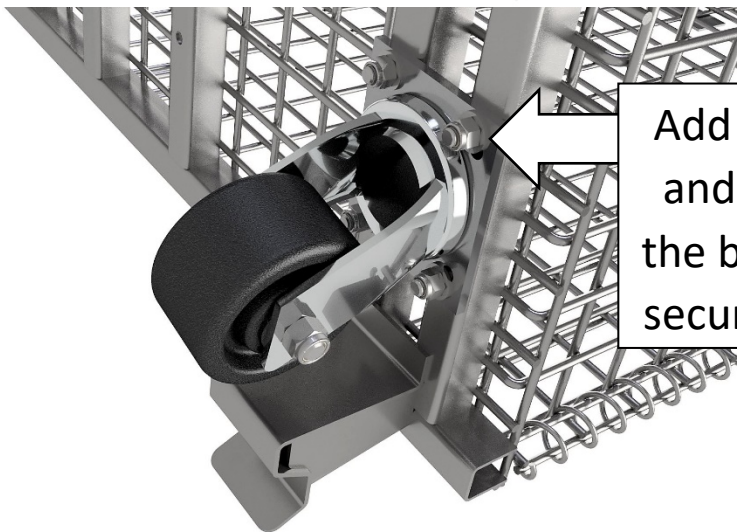
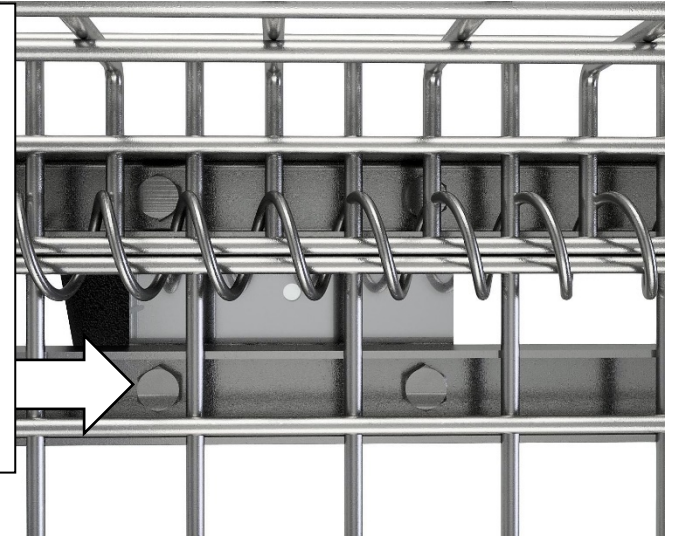


**NASHVILLE WIRE  
PRODUCTS**

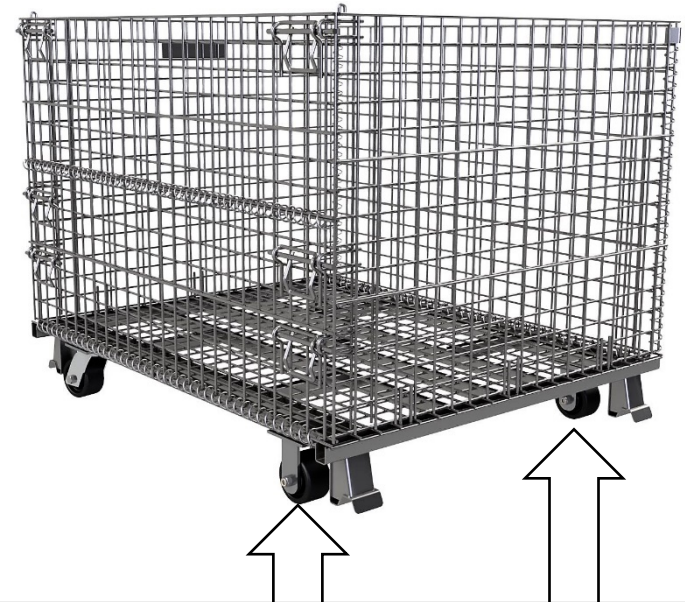
# Caster Installation Instructions



Set up container and install bolts through the pre-drilled holes. Bolt head needs to be placed inside the channels.



Add washers and nuts on the bottom to secure caster.



Be sure that the 2 rigid casters are installed side-by-side on one of the short ends.